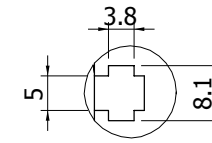
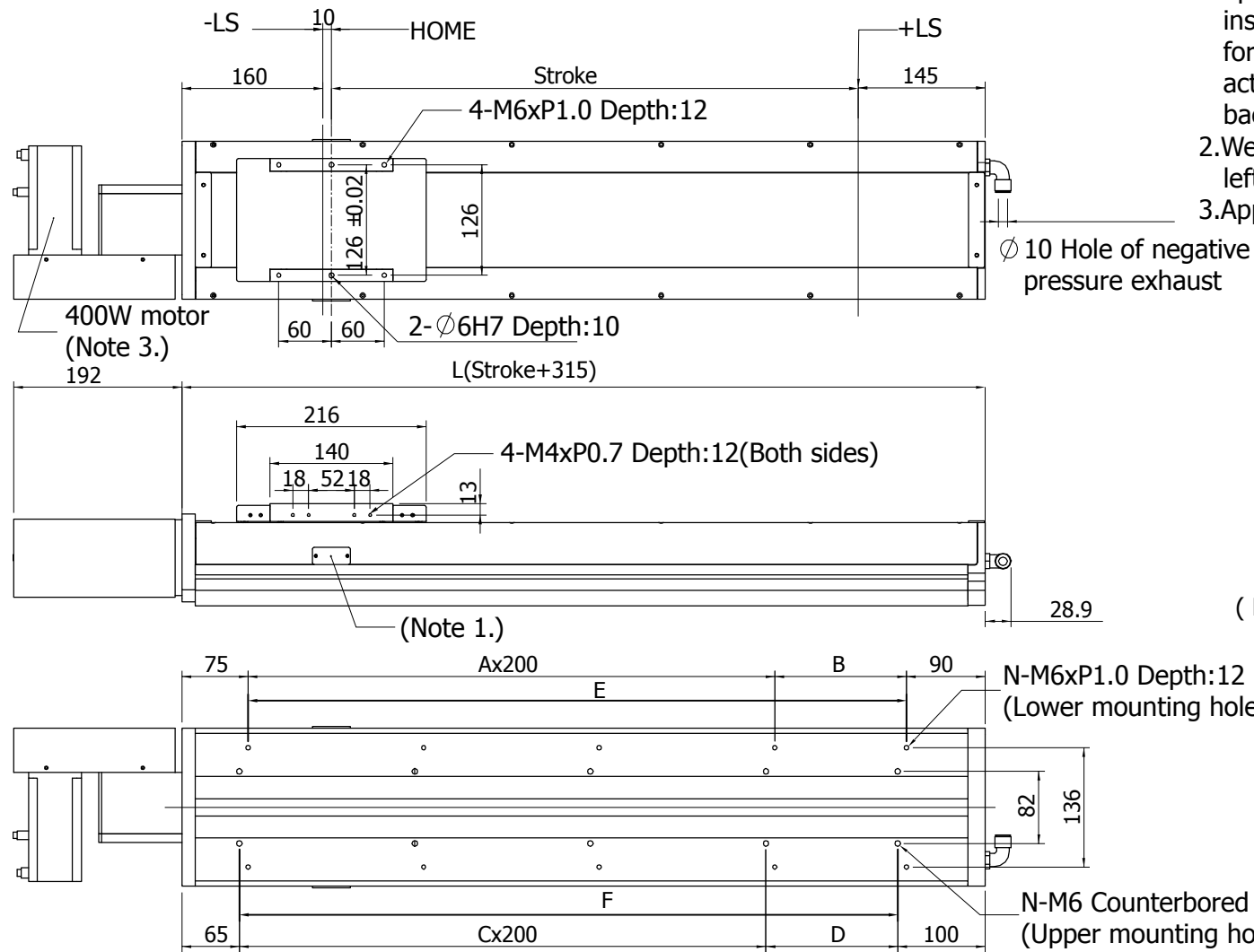


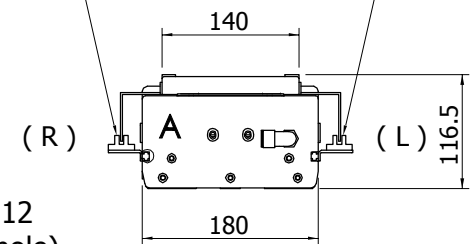
## <JDTS-180> Specification

- Note: 1. Open the lid which is on left or right side, inside there's an oil filler point for lubrication. (Before you perform this action, please make sure the sensor is back to HOME)
2. We install the sensor outside. (right or left side) (optional accessory)
3. Applicable motor: 200, 400W, 750W.



(A)

The outer sensor. (Note 2.)



SENSOR Operation:

- 1.+LS
- 2.HOME
- 3.-LS

Unit:mm

Stroke	500	600	700	800	900	1000	1100	1200	1300	1400	1500	1600	1700	1800	1900	2000	2100	2200	2300	2400	2500	2600
L	815	915	1015	1115	1215	1315	1415	1515	1615	1715	1815	1915	2015	2115	2215	2315	2415	2515	2615	2715	2815	2915
A	2	3	3	4	4	5	5	6	6	7	7	8	8	9	9	10	10	11	11	12	12	13
B	250	150	250	150	250	150	250	150	250	150	250	150	250	150	250	150	250	150	250	150	250	150
N	8	10	10	12	12	14	14	16	16	18	18	20	20	22	22	24	24	26	26	28	28	30
C	2	3	3	4	4	5	5	6	6	7	7	8	8	9	9	10	10	10	10	10	10	10
D	250	150	250	150	250	150	250	150	250	150	250	150	250	150	250	150	250	150	250	150	250	150
M	8	10	10	12	12	14	14	16	16	18	18	20	20	22	22	24	24	26	26	28	28	30
Weight(kg)	17.9	20.3	22.7	25.1	27.5	29.9	32.3	34.7	37.1	39.5	41.9	44.3	46.7	49.1	51.5	53.9	56.3	58.7	61.1	63.5	65.9	68.3